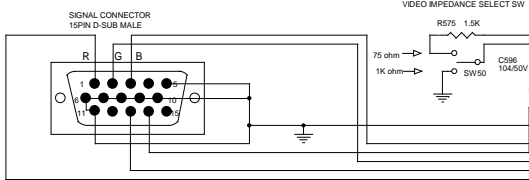
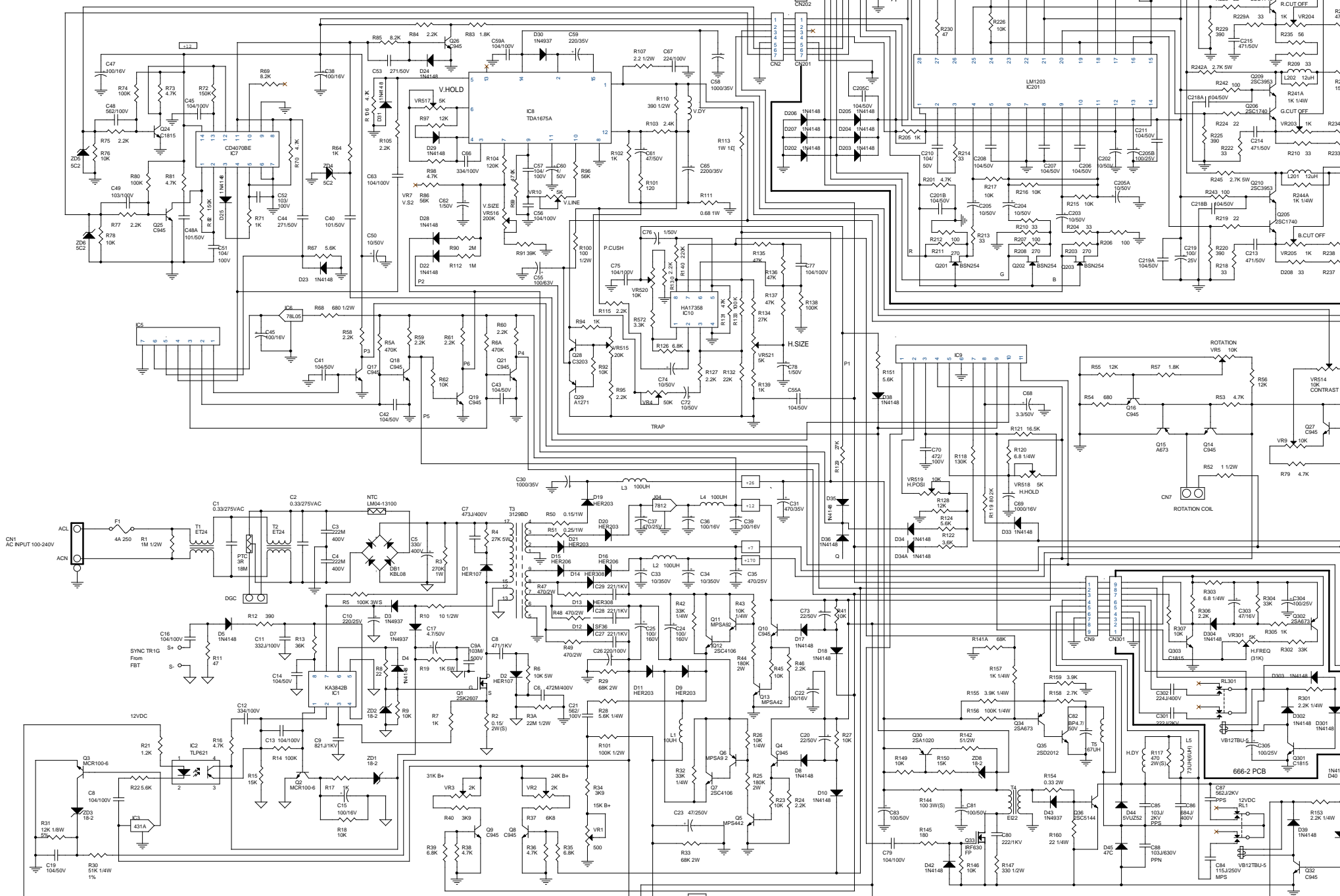


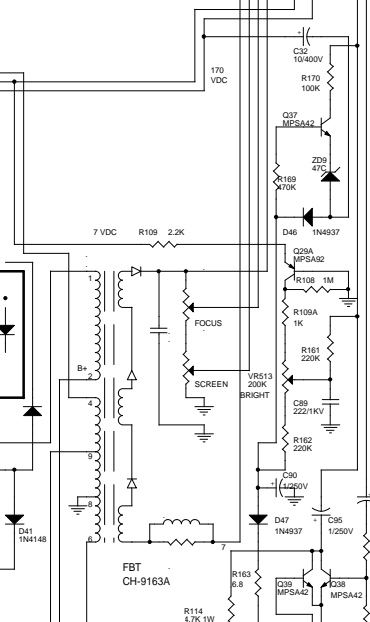
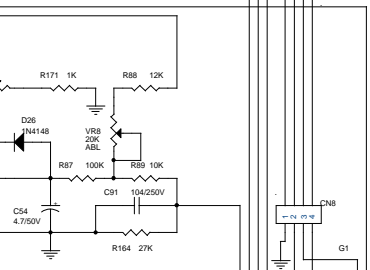
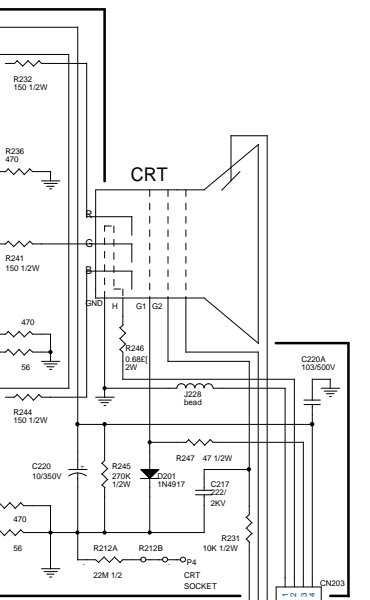
NOTE:

15 Pin D-SUB CONNECTOR		
1	R	8 GND
2	G	9 3K
3	B	10 GND
4	GND	11 GND
5	GND	12 NC
6	GND	13 R(H-V)
7	GND	14 V



666CRT PCB





666MAIN PCB

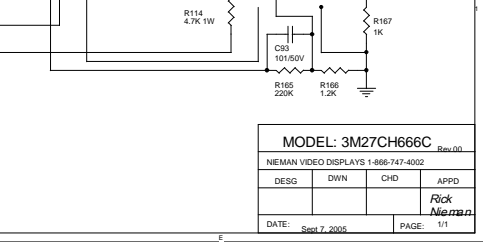
R110 1/2W(S)

A

B

C

D



MODEL: 3M27CH666C <small>Rev 00</small>			
NEMAN VIDEO DISPLAYS 1-866-747-6002			
DESG	DWN	CHD	APPD
			<b>Rock</b> <b>Nirman</b>
DATE:	Sept 7, 2005	PAGE:	1/1

E